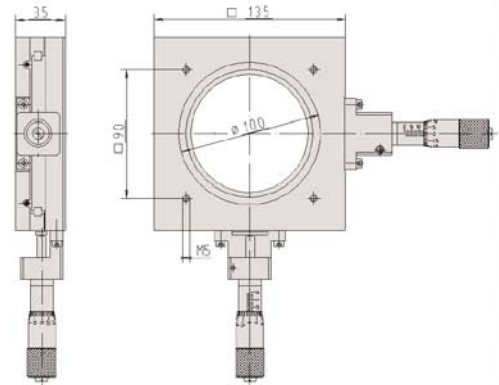


Custom Design - Microscope Stages

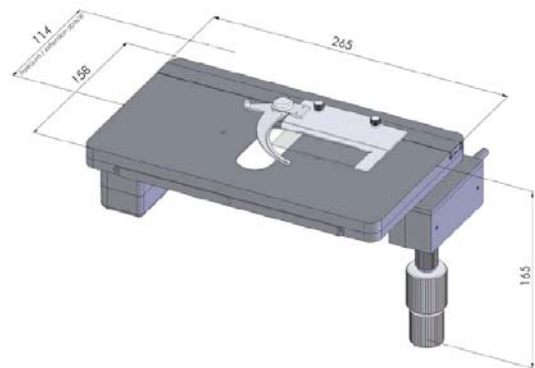


- UK Designed & Manufactured Stage
- Manual Micrometer
- Choice of Micrometer Readout
- Encoder Readout to
- Quadra Check DRO
- For Measure Microscopes
- Profile Projectors
- Existing Microscope Platform

- MT 25 (25 x 25mm)
- MT 50 (50 x 50mm)
- 12mm Diameter Micrometer Mount
- Manufactured in Germany
- More Details – Contact GDC



- Motorised Stage For Upright Microscope
- 76mm x 50mm Movement
- 2 Phase Stepper Motor
- Specification Sheet Available From GDC



Summary

- **Positioning & Measurement solutions From GDC.**
- **Custom UK Designed & Manufactured Stages**
- **Scanning / Locking Stages for PCB Inspection**
- **Marzhauser stages manufactured in Germany**