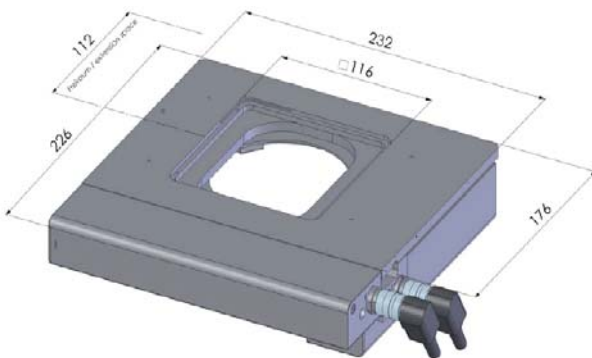


SMD Inspection - Microscope Stages



- Surface Mount Inspection Station
- Swivel / Rotating Platform
- Adjustable height / angle
- Details on Request from GDC

- Free standing SMD Inspection Platform
- Swivel & Rotate



- Motorised Scanning Stages
- Various Stage Sizes available
- Data Sheet on request from GDC

Summary

- **Positioning & Measurement solutions From GDC.**
- **Custom UK Designed & Manufactured Stages**
- **Scanning / Locking Stages for PCB Inspection**
- **Marzhauser stages manufactured in Germany**